

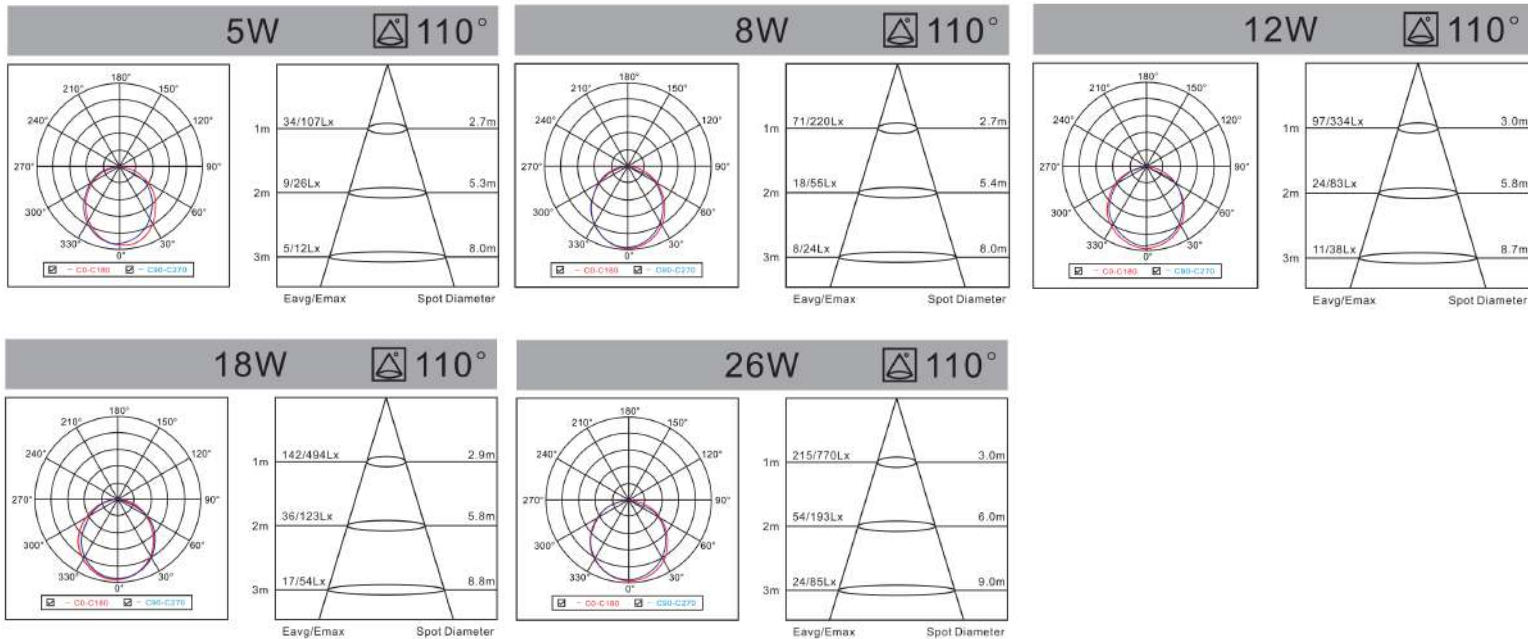


LED Down Light EW Series



Modell Model	Leistung Power	Lumen Lumen	Verdunklung DIM	Produktgröße Product size	Lochgröße Cutout
LP-DL05EW03-Y1	• 5W	450LM	N	Ø98x28mm	70-90mm
LP-DL08EW03-Y1	• 8W	535LM	N	Ø120x28mm	90-110mm
LP-DL12EW03-Y1	• 12W	990LM	N	Ø185x28mm	155-175mm
LP-DL18EW03-Y1	• 18W	1500LM	N	Ø225x35mm	195-215mm
LP-DL26EW03-Y1	• 26W	2300LM	N	Ø225x35mm	195-215mm

LED Down Light EW Series



Product Overview

Energy efficiency class	A+
PF	5W / 8W / 12W / 18W > 0.5 26W > 0.9
CCT(K)	3000K/4000K/6500K
CRI(Ra)	>80
Voltage (V)	AC220-240
Frequency(Hz)	50/60
Beam Angle (deg)	110°
Lifespan (hrs)	30000/100000 SwitchingCycles
Working Temperature (°C)	-15-50
Storage Temperature (°C)	-15-50



LED Down Light EW Series

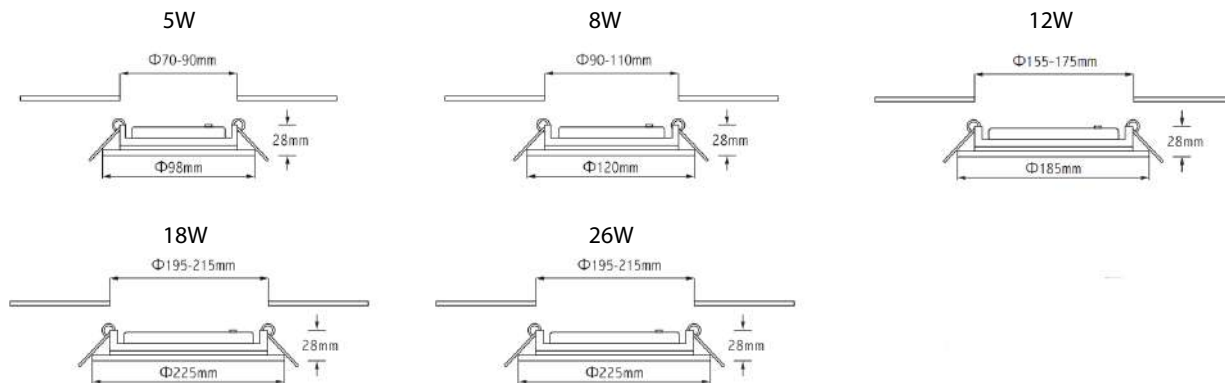


Physical data

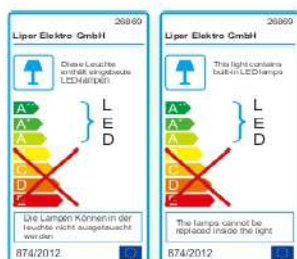
Weight(g)	92 / 162 / 208 / 256 / 256
Designed for optimum use in non standard conditions	No
Fluorescent lamp replacement	No
Single packaging type	BOX
Single package dimensions (L x W x H)(mm)	125x110x40 / 1 PCS 135x125x44 / 1 PCS 157x152x40 / 1 PCS 219x210x42 / 1 PCS 219x210x42 / 1 PCS

* Do not use in close luminaire

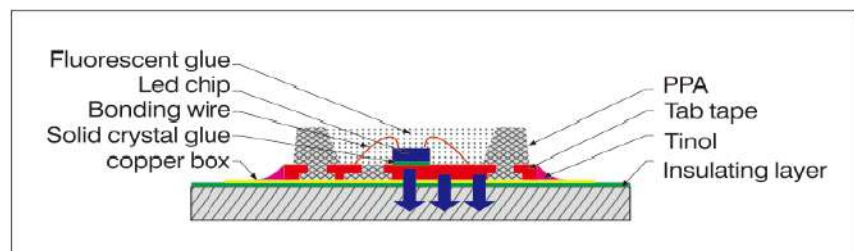
Technical Drawings



Energy Label



SMD breakdown drawing





LED Down Light EW Series

