



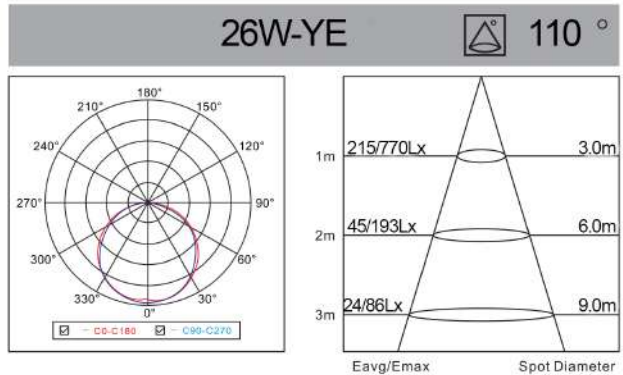
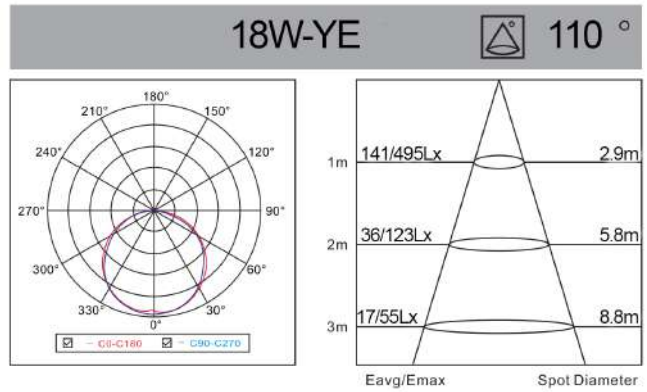
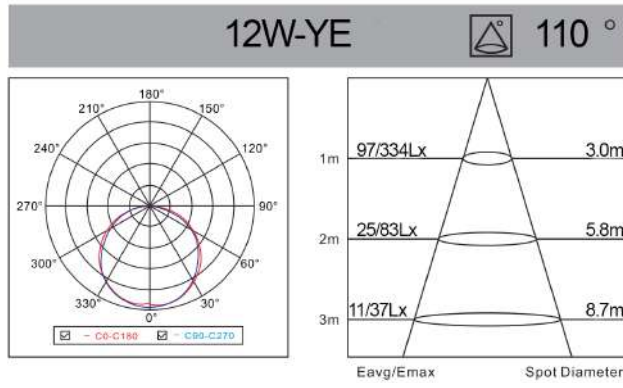
LED Down Light K Series



Modell Model	Leistung Power	Lumen Lumen	Verdunklung DIM	Produktgröße Product size
LP-DL12K01-YE	• 12W	970LM	N	Ø153x58mm
LP-DL18K01-YE	• 18W	1500LM	N	Ø200x60mm
LP-DL26K01-YE	• 26W	2200LM	N	Ø230x63mm



LED Down Light K Series



Product Overview

Energy efficiency class	A+
PF	>0.5
CCT(K)	4000-6500k
CRI(Ra)	>80
Voltage (V)	220-240 V
Frequency(Hz)	50/60
Lifespan (hrs)	30000/100000 SwitchingCycles
Working Temperature (C)	-15 - 50 C
Storage Temperature (C)	-15 - 50 C

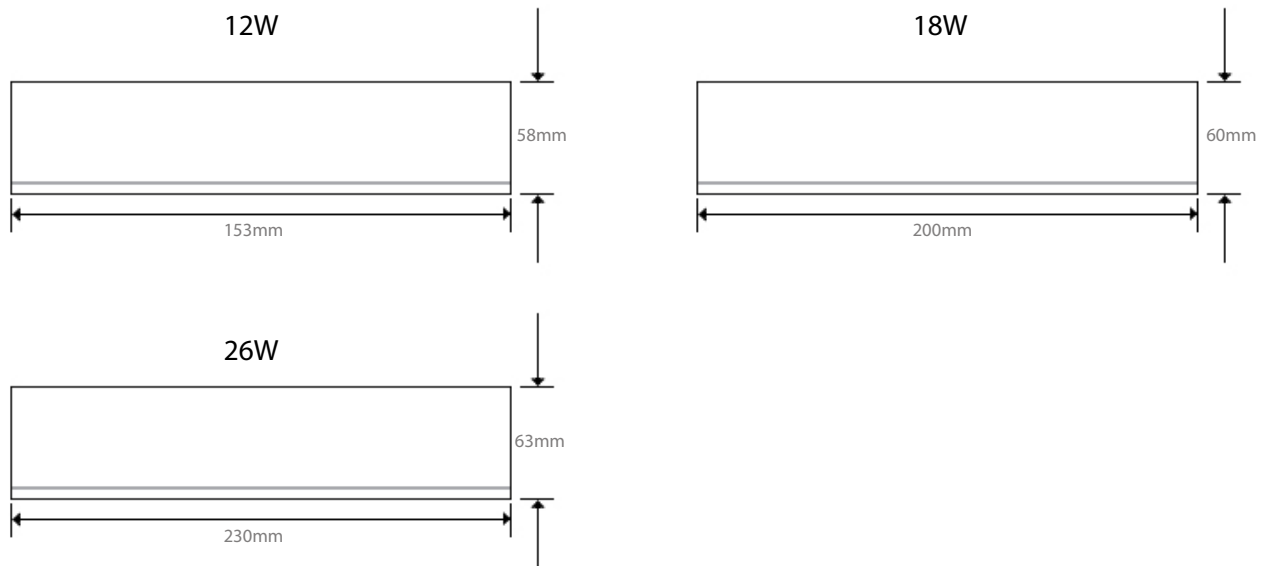


LED Down Light K Series

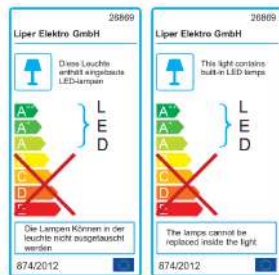


* Do not use in close luminaire

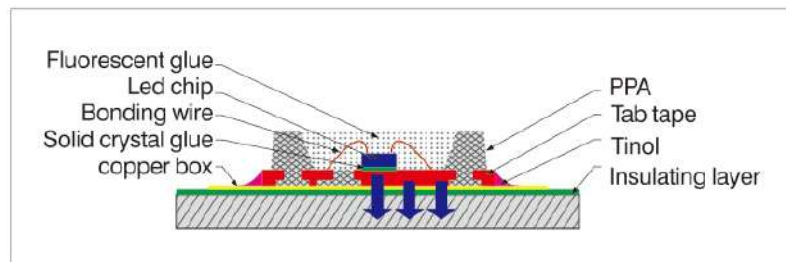
Technical Drawings



Energy Label

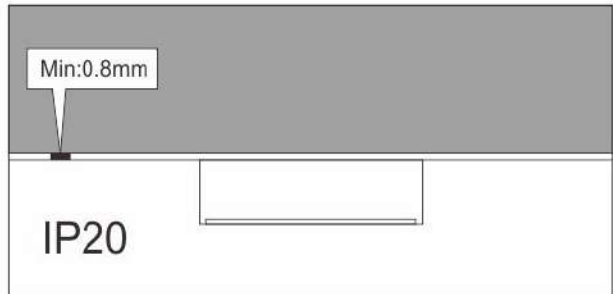
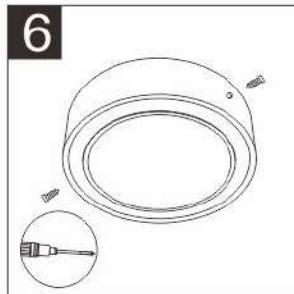
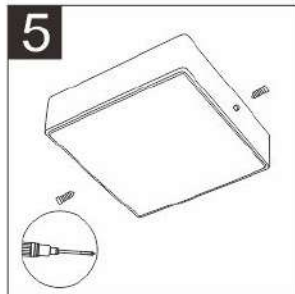
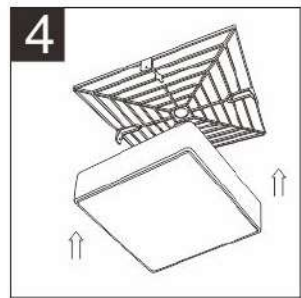
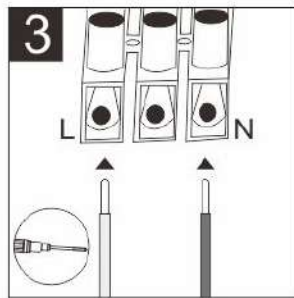
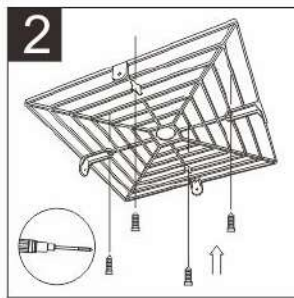
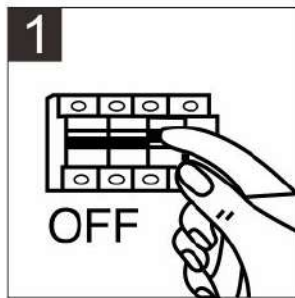
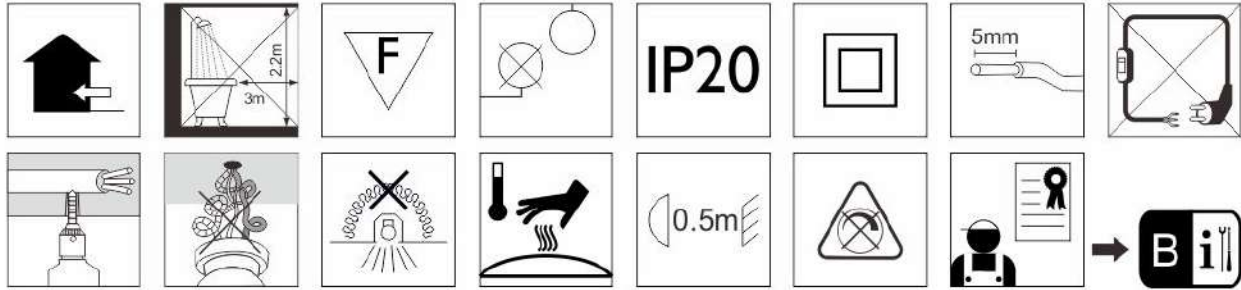


SMD breakdown drawing





LED Down Light K Series



LED K Series Down Light						
MODEL	ITEM NO	VOLTAGE/ FREQUENCY	POWER (5%)	COLOR TEMP	LIFE TIME	DIMENSION (LxWxH)
LPDL-12A-Y	LP-DL12K01 -YE/-FE	90/160-240V~ 50/60Hz	12W	2700K 4000K 6500K	30, 000hours	∅153x58mm(-YE) ∅155x50mm(-FE)
LPDL-18A-Y	LP-DL18K01 -YE/-FE		18W			∅200x60mm(-YE) ∅202x50mm(-YE)
LPDL-26A-Y	LP-DL26K01 -YE/-FE		26W			∅230x63mm(-YE) ∅232x50mm(-YE)