

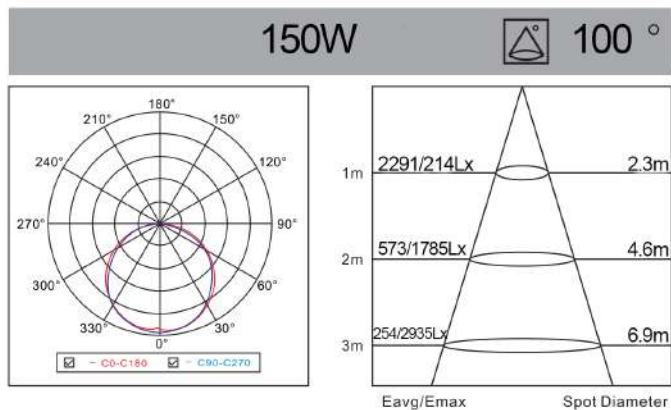
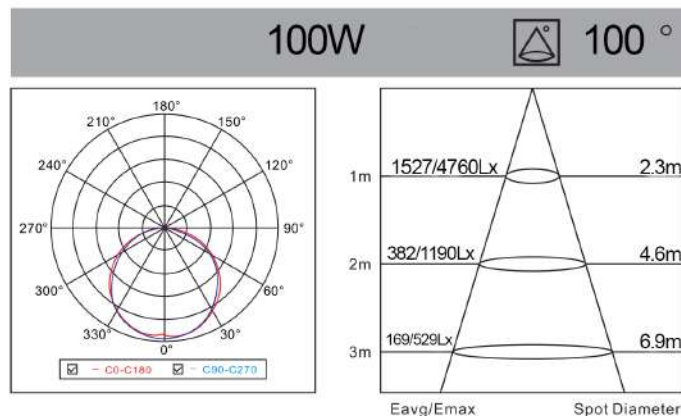
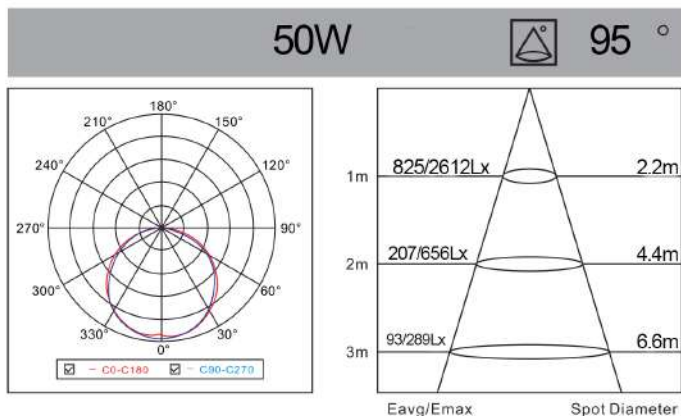


LED STREET LIGHT C Series



Modell Model	Leistung Power	Lumen Lumen	Eindringenschutz IP	Produktgröße Product size
LPSTL-50C01	• 50W	5100LM	65	Ø383X190X67mm
LPSTL-100C01	• 100W	10400LM	65	Ø453X232X92mm
LPSTL-150C01	• 150W	16500LM	65	Ø592X272X108mm

LED STREET LIGHT C Series



Product Overview

Energy efficiency class	A+
PF	>0.9
CRI(Ra)	>80
Voltage (V)	220-240 V / 50 Hz
Lifespan (hrs)	30000/100000 SwitchingCycles



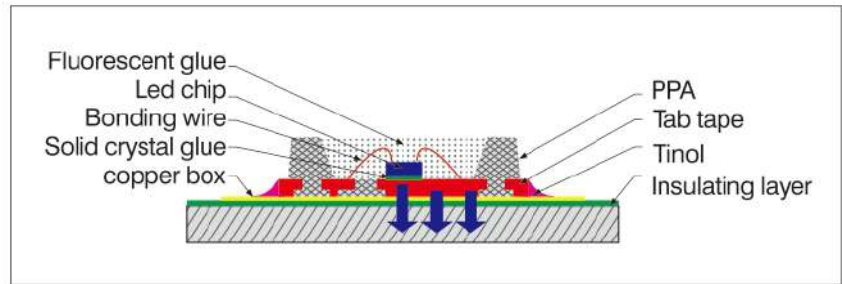
LED STREET LIGHT C Series



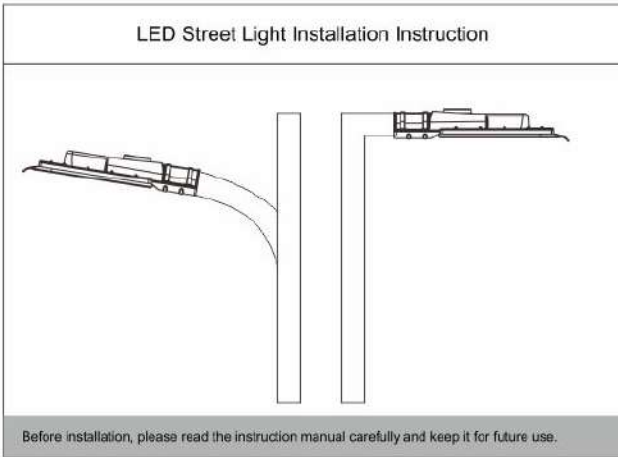
Energy Label



SMD breakdown drawing



LED Street Light Installation Instruction



Before installation, please read the instruction manual carefully and keep it for future use.



Warning

1. The operating personnel must have the related certifications, knowledge and work experience. Work allocation must be made according to each personnel's position and responsibility.
2. Lens of the street light modules are made of optics tempered glass, any careless handling would scratch the lens. So in the process of installation, the street lights must be carefully protected. In the case of street light face faces the ground, it must be protected with soft cloth or other protective materials.
3. Any installation mustn't be proceeded unless all the powers are off.
4. Installation must be carried out strictly according to the operation specifications, including use of relevant tools and equipments. For example: the working range, warning labels, flash lamp, helmet, and work clothes etc.
5. In the process of installation, please ensure the weather are suitable for outdoor high electric power working.



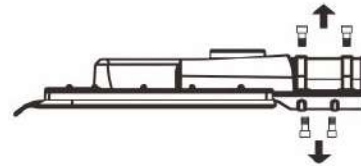
Statement

1. Working truck with lifting platform, warning mark and flashlight are necessary for street light installation.
2. Installation and maintenance Mustn't be proceeded unless all powers are off.
3. Maintenance must be carried out by professional personnel.

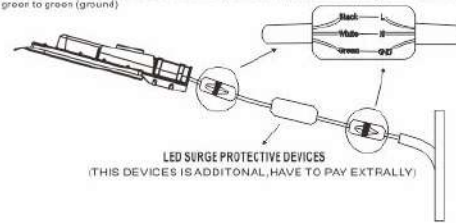
Installation of LED Street Lights



Step 1: Start installation of the street light
Turn the street light to the back side, loose the 3 screws on the swivel



Step 2: Connect the cables
Connect the L, N, GND cables on the lamp to the corresponding L, N, GND cables on the lamp pole.
Splice the branch circuit power leads to the fixture power leads, black to black (hot), white to white (neutral), and green to green (ground)



LED SURGE PROTECTIVE DEVICES
(THIS DEVICES IS ADDITIONAL, HAVE TO PAY EXTRALLY)

Step 3: Fixation of the LED Street Lights
Install the street light to the lamp pole, adjust the LED street light to be of horizontal level. Fasten the 3 screws on the swivel

