



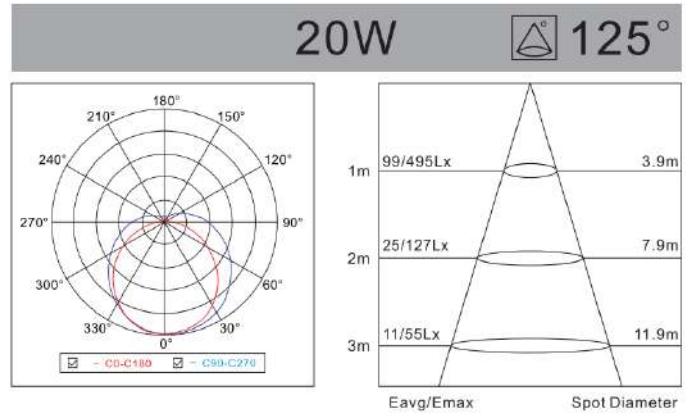
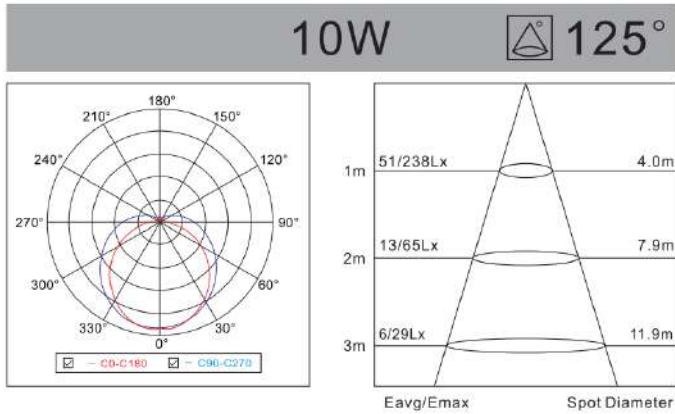
LED TUBE C Series



Modell Model	Leistung Power	Lumen Lumen	Verdunklung DIM	Produktgröße Product size
LPTL10C02	• 10W	850LM	N	∅ 26x600mm
LPTL20C02	• 20W	1800LM	N	∅ 26x1200mm
LPTL25C02	• 25W	2200LM	N	∅ 26x1500mm



LED TUBE C Series



Product Overview

Energy efficiency class	A+
PF	10W/20W > 0.5 25W > 0.9
CCT(K)	3000K/4000K/6500K
CRI(Ra)	>80
Voltage (V)	AC100-240
Frequency(Hz)	50/60
Beam Angle (deg)	125°
Lifespan (hrs)	30000/100000 Switching Cycles
Working Temperature (°C)	-15-50
Storage Temperature (°C)	-15-50



LED TUBE C Series

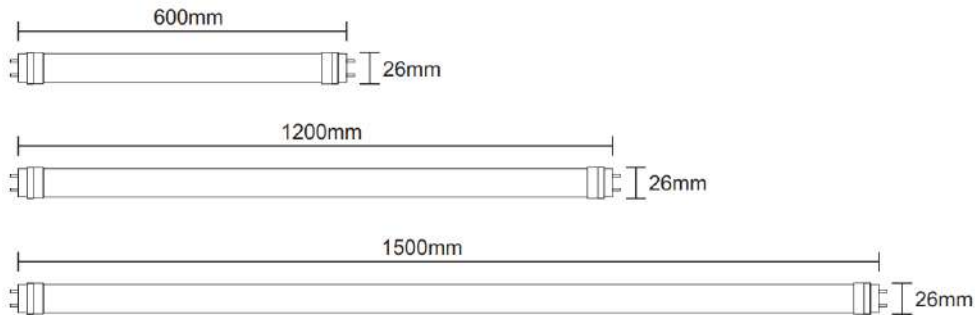


Physical data

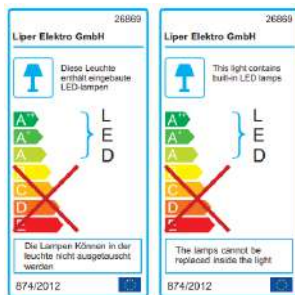
Weight(g)	148 / 216 / 260
Designed for optimum use in non standard conditions	No
Fluorescent lamp replacement	No
Single packaging type	BOX
Single package dimensions (L x W x H)(mm)	605x29x29 / 1 pcs 1215x29x29 / 1 pcs 1515x29x29 / 1 pcs

* Do not use in close luminaire

Technical Drawings



Energy Label



SMD breakdown drawing

